

Runddichtungen (O-Ringe) V-884-75 (Viton) für APEKS Atemregler

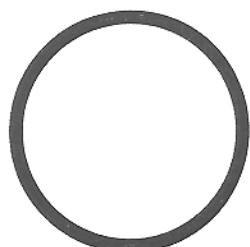
Art.-Nr: Parker -Bestellnummer
Part.-Nr: 4-stellige Apeks-Bestellnummer,
(x) Teilnummer des Wartungskits (identisch mit dem Explosionsriss)
Nummern der 1. u. 2. Stufe nicht verwechseln!

Art.Nr.	Part.Nr	Verwendung	Grösse	Anz	Preis
2-214		Ventil-Tankdichtung M25x2	24,99 x 3,53		
2-012		Nitrox-Doppelbrücke (Seaway)	4 9,25 x 1,78		
2-111		Tank Connector	10,77 x 2,62		
		Apeks 1. Stage DST & UST	St.		
2-012	1445	(23) HP Out $7/16''$ (22)	2 9,25 x 1,78		
2-024	1420	(9) Svivel MD-Kammer	1 28,3 x 1,78		
2-011	1409	(12) MP-Out $3/8''$, (41) Sinterfilter DIN	4 7,65 x 1,78		
2-013	1410	(15) Turret-bolt innen, (21) MP-Out $1/2''$	2 10,82 x 1,78		
2-019	1438	(18) Turret-bolt Svivel oben	1 20,35 x 1,78		
2-006	1299	(19) HP Valve	1 2,9 x 1,78		
		Apeks 2. Stage TX40/TX50	St.		
2-011	1409	(26) Adjusting screw (wie 1.Stufe)	1 7,65 x 1,78		
5-051	2041	(29) Shuttle Valve	1 1,78 x 1,02		
5-583	1154	(20) Ventilsitz 2.Stufe (19)	1 6,4 x 1,9		
2-015	1267	(4) & (23) Valve body, normal (kein Viton)	2 14,00 x 1,78		
2-019	1438	(13) Venturi Lever; normal (kein Viton)	1 20,35 x 1,78		

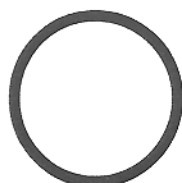
TX50, TX40 & T20 Service Kit

A clamp - AP0227

D.I.N. - AP0227/1



AP1420
(19)



AP1438
(18)



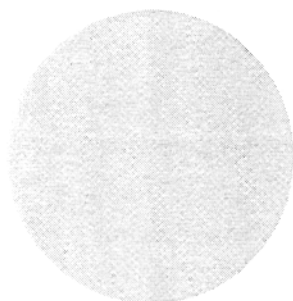
AP1410
(15&21)



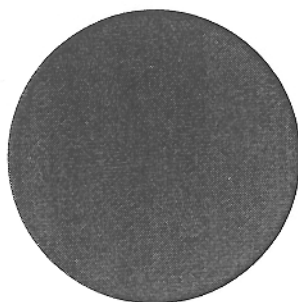
AP1445
(23) x 2



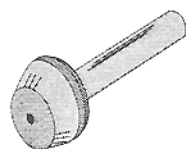
AP1409
(12) x 3



AP1482
(28)



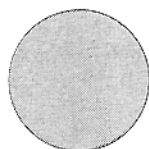
AP1478
(5)



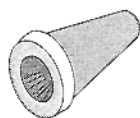
AP1419
(13)



AP1299
(19)



AP1406
(33)

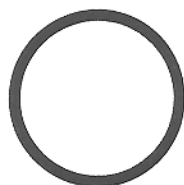


OR
AP1472
(40)

AND



AP1166
(37)



AP1438
(13)



AP1267
(4&23)



AP1409
(26)



AP1154
(20)

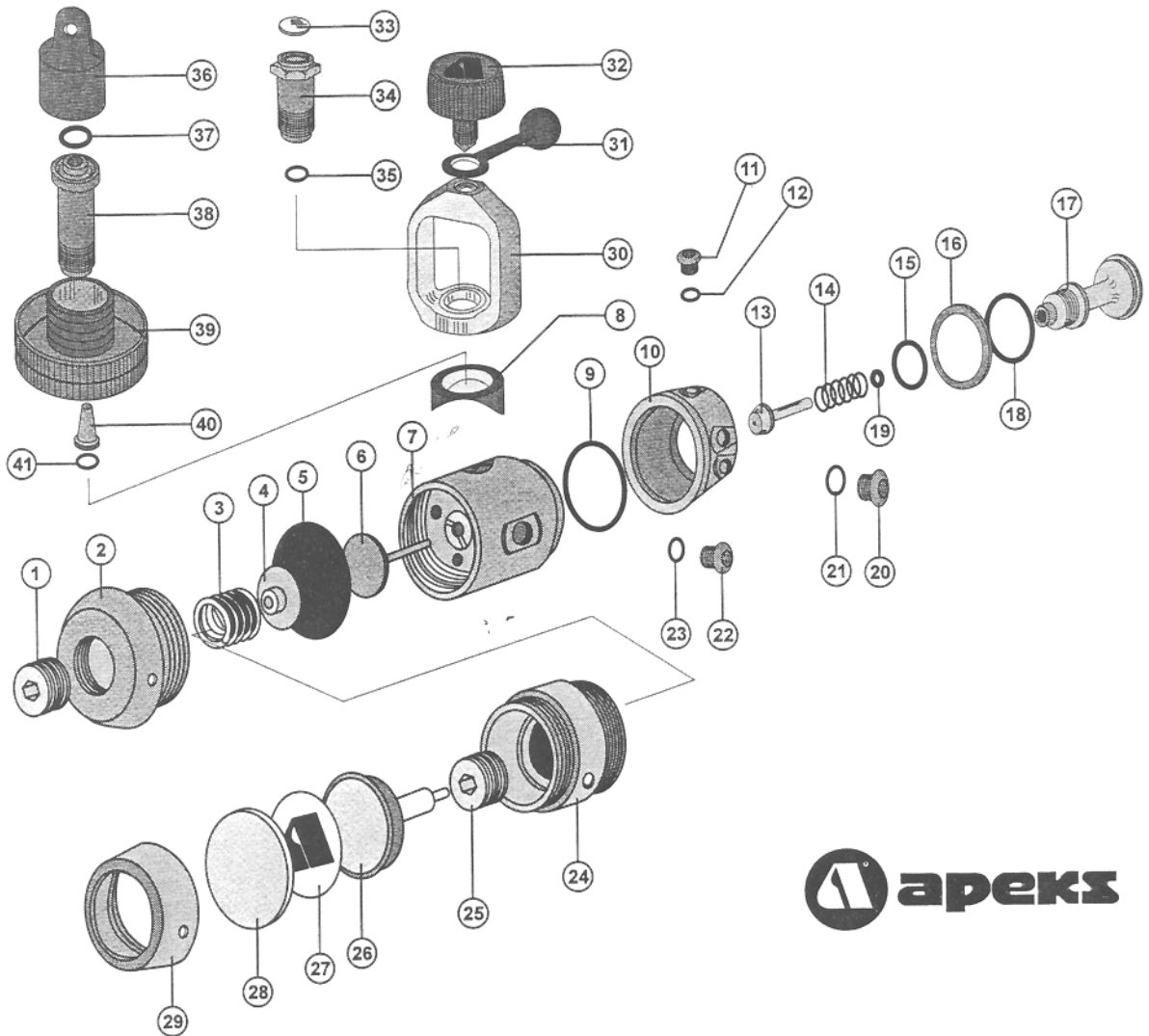


AP2041
(29)



AP2034

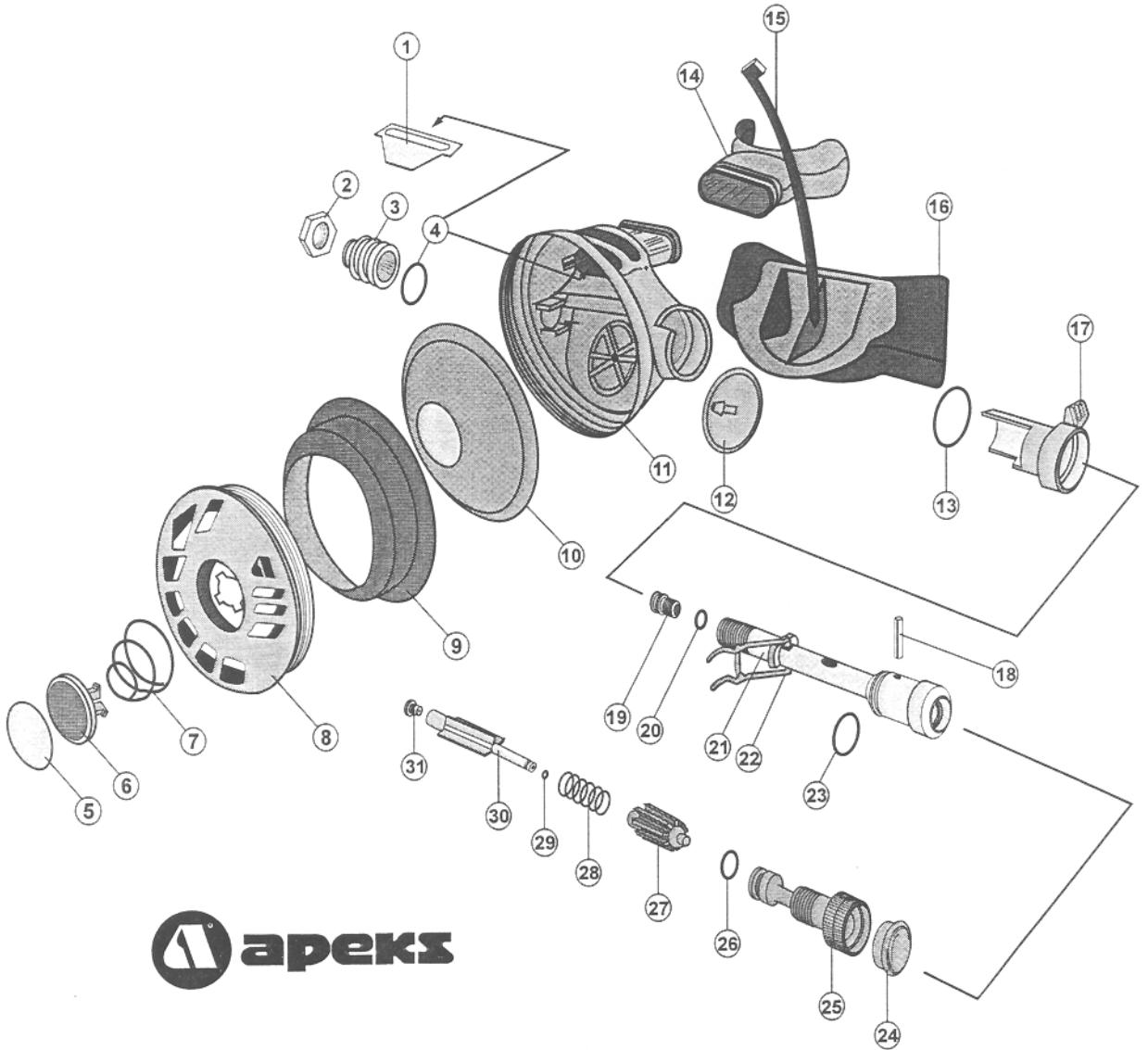
Type D.S.T. & U.S.T. First Stage Diagram



All items in brackets are to be replaced when servicing

1.	AP1474	Spring adjuster	22.	AP1413	Blanking plug 7/16"
2.	AP1485	Diaphragm cap	(23)	AP1445	'O' ring
3.	AP1475	Spring	24.	AP1473	Diaphragm clamp
4.	AP1476	Spring carrier	25.	AP1474	Spring adjuster
(5)	AP1478	Diaphragm	26.	AP1483	Hydrostatic transmitter
6.	AP1479	Valve lifter	27.	AP1477	Decal
7.	AP1480	Valve Body	28.	AP1482	Hydrostatic diaphragm
8.	AP1446	Distance piece	29.	AP1484	Environmental end cap
(9)	AP1420	'O' ring	30.	AP1403	Yoke clamp
10.	AP1481	Turret	31.	AP1404	Protective cap
11.	AP1408	Blanking plug 3/8"	32.	AP1402	Yoke clamp screw
(12)	AP1409	'O' ring	(33)	AP1406	Disc filter
(13)	AP1419	H.P. Valve	34.	AP1407	Yoke clamp connector
14.	AP1415	Spring	(35)	AP1409	'O' ring
(15)	AP1410	'O' ring	36.	AP1264	Protective cap DIN
16.	AP1414	Thrust washer	(37)	AP1166	'O' ring
17.	AP1486	Turret retaining bolt	38.	AP1471	Handwheel connector
(18)	AP1438	'O' ring	39.	AP1470	Handwheel 300 bar
(19)	AP1299	'O' ring	(40)	AP1472	Conical filter
20.	AP1487	Blanking plug 1/2"	(41)	AP1409	'O' ring
(21)	AP1410	'O' ring			

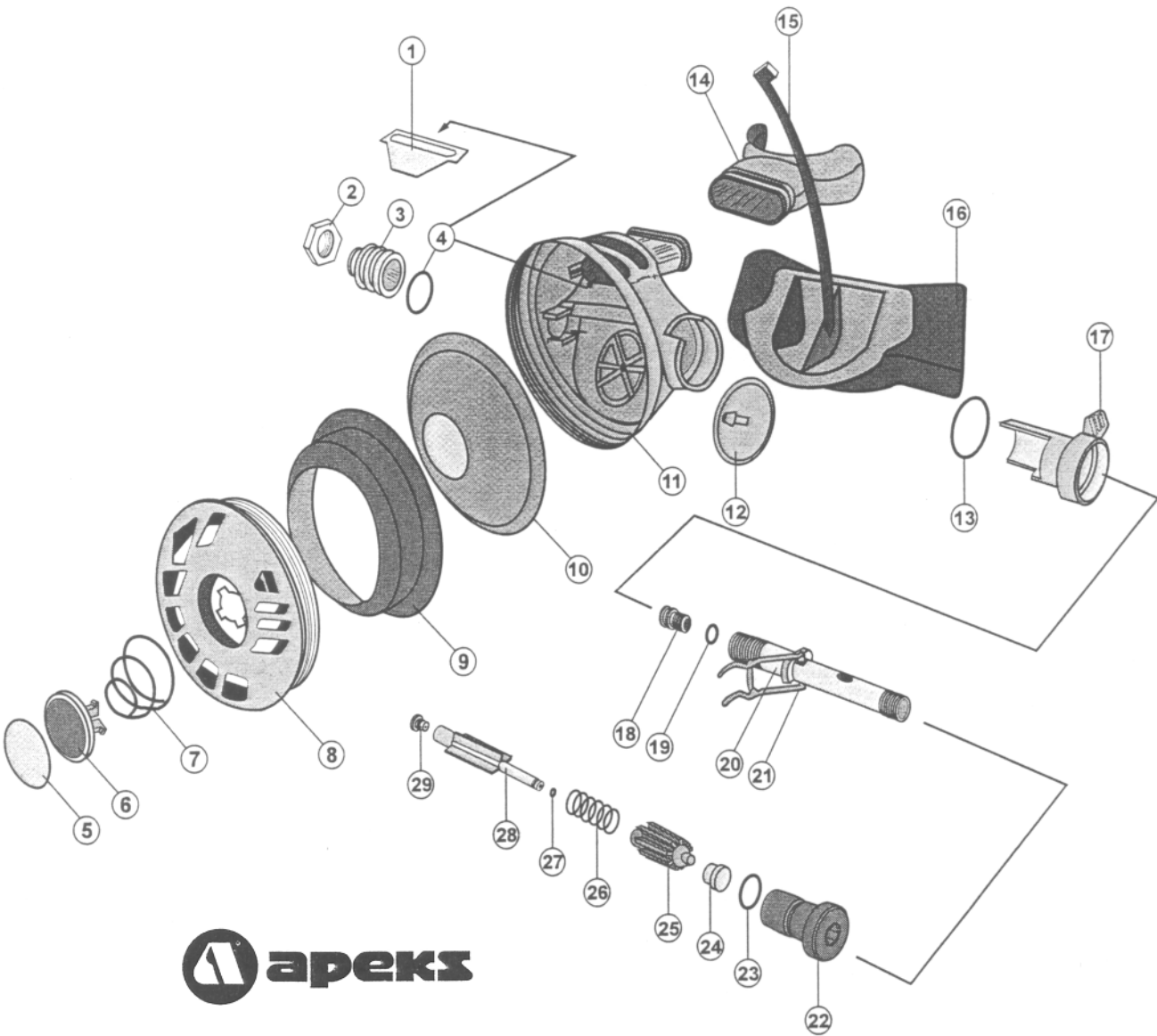
TX50 Second Stage Diagram



All items in brackets are to be replaced when servicing

1.	AP2037	Deflector	17.	AP2039	Venturi lever
2.	AP2031	Nut	18.	AP1151	Spring pin
3.	AP5002	Heat exchanger	19.	AP2033	Seat
(4)	AP1267	'O' ring	(20)	AP1154	'O' ring
5.	AP5004/1	Decal	21.	AP2028	Valve body
6.	AP2053	Purge button	22.	AP2035	Lever
7.	AP2020	Spring	(23)	AP1267	'O' ring
8.	AP2026	Case cover	24.	AP2030	Plug
9.	AP2025	Diaphragm cover	25.	AP2029	Adjusting screw
10.	AP2023	Diaphragm	(26)	AP1409	'O' ring
11.	AP5001	Case	27.	AP2030	Counter balance cylinder
12.	AP1429	Exhaust valve	28.	AP2021	Valve spring
(13)	AP1438	'O' ring	(29)	AP2041	'O' ring
14.	AP1434	Mouthpiece	30.	AP2036	Shuttle valve
15.	AP1677	Mouthpiece clip	(31)	AP2034	Rubber seating
16.	AP2040	Exhaust tee			

TX40 & T20 Second Stage Diagram



All items in brackets are to be replaced when servicing

1.	AP2037	Deflector	16.	AP2040	Exhaust tee
2.	AP2031	Nut	17.	AP2039	Venturi lever
3.	AP5002	Heat exchanger	18.	AP2033	Seat
(4)	AP1267	'O' ring	(19)	AP1154	'O' ring
5.	AP5004/1	Decal	20.	AP2048	Valve spindle
6.	AP2053	Purge button	21.	AP2035	Lever
7.	AP2020	Spring	22.	AP2047	Valve spindle cap
8.	AP2026	Case cover	(23)	AP1267	'O' ring
9.	AP2025	Diaphragm cover	24.	AP2046	Spring plug
10.	AP2023	Diaphragm	25.	AP2038	Counter balance cylinder
11.	AP5001	Case	26.	AP2021	Spring
12.	AP1429	Exhaust valve	(27)	AP2041	'O' ring
(13)	AP1438	'O' ring	28.	AP2036	Shuttle valve
14.	AP1434	Mouthpiece	(29)	AP2034	Rubber seating
15.	AP1677	Mouthpiece clip			